

# K-EF134L Series

K-EF134L02E (Focal Length 2.8 mm)

K-EF134L03E (Focal Length 3.6 mm)

K-EF134L06E (Focal Length 6.0 mm)



## 1.3 Megapixel 720p Weatherproof Mini Dome Camera Equipped with IR LED

### Key Features

- 1/3 type 1.3 Megapixel MOS Sensor
- H.264 & MJPEG dual-stream encoding
- 30fps@1.3 M (1280 × 960) & 30fps@720p (1280 × 720)
- Day / Night (IR), AWB, AGC, BLC
- Max. IR LEDs length 20 m
- 2.8 mm / 3.6 mm / 6.0 mm fixed lens
- IP66 rated water and dust resistant.
- PoE

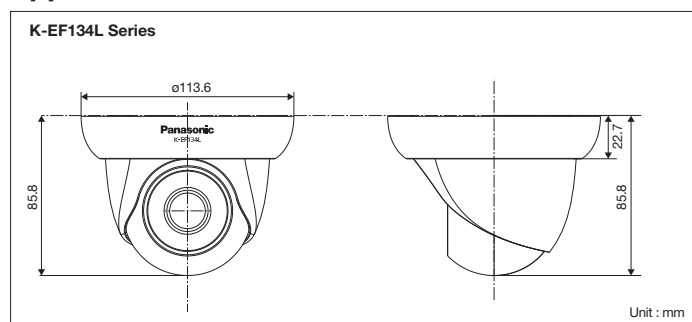
## Specifications

Model	K-EF134L02E	K-EF134L03E	K-EF134L06E
<b>Camera</b>			
Image Sensor	1/3 type 1.3 Megapixel progressive scan MOS Sensor		
Effective Pixels	1280 (H) x 960 (V)		
Scanning System	Progressive		
Electronic Shutter Speed	Auto / Manual, 1/3 ~ 1/100,000 s		
Min. Illumination	0.05 lx / F1.2 (Color), 0.025 lx / F1.2 (B/W) ; 0 lx / F1.2 (IR on)		
S/N Ratio	More than 50 dB		
Video Output	N/A		
<b>Camera Features</b>			
Max. IR LEDs Length	20 m		
Day/Night	Auto (IR) / Color / B/W		
Backlight Compensation	BLC / HLC / WDR		
White Balance	Auto / Manual		
Gain Control	Auto / Manual		
Noise Reduction	3D		
Privacy Masking	Up to 4 areas		
<b>Lens</b>			
Focal Length	2.8 mm	3.6 mm	6.0 mm
Max Aperture	F2.0	F1.8	F1.8
Angle of View	H : 89°	H : 70°	H : 46.5°
Lens Type	Fixed lens		
<b>Video</b>			
Compression	H.264 / MJPEG		
Resolution	1.3 M (1280 x 960) / 720p (1280 x 720) / D1 (704 x 480) / CIF (352 x 240)		
Frame Rate	Stream (1)	1.3 M / 720p (1 ~ 30fps)	
	Stream (2)	D1/CIF (1 ~ 30fps)	
Bit Rate	H.264 : 32 K ~ 8192 Kbps		
<b>Network</b>			
Ethernet	RJ45 (10/100Base-T)		
Protocol	IPv4/IPv6, HTTP, HTTPS, SSL, TCP/IP, UDP, UPnP, ICMP, IGMP, SNMP, RTSP, RTP, SMTP, NTP*, DHCP, DNS, PPPoE, DDNS, FTP, IP Filter, QoS, Bonjour, Onvif compatible * Required to synchronize to recorder		
Max. User Access	20 users		
Smart Phone	iPhone, iPad, Android™		
<b>General</b>			
EMS Standard	EN55022 Class B, EN55024		
Power Supply	DC12 V, PoE (IEEE802.3af)		
Power Consumption	Max 4 W		
Ambient Operating Temperature/ Humidity	-20°C ~ +60°C / Less than 95% RH		
Water and Dust Resistance	IP66		
Vandal Resistance	N/A		
Dimensions	ø113.6 mm x 85.8 mm		
Weight	0.29 kg		

- Panasonic Security Viewer is not supported
- EMS (E-Series Management Software) & Mobile-EMS do not support i-PRO series NVR
- Only SXVGA recording is available with i-PRO series NVR
- See support web page below for further details

<http://security.panasonic.com/pss/security/library/e-series.html>

## Appearance



### Trademarks and registered trademarks

- iPad, iPhone and iPod touch are registered trademarks of Apple Inc.
- Android is a trademark of Google Inc.
- ONVIF and the ONVIF logo are trademarks of ONVIF Inc.

### Important

- Safety Precaution: Carefully read the Important Information, Installation Guide and operating instructions before using this product.
- Panasonic cannot be responsible for the performance of the network and/or other manufacturers' products used on the network.

- Masses and dimensions are approximate.
- Specifications are subject to change without notice.

DISTRIBUTED BY:

# Panasonic

<http://security.panasonic.com/pss/security/library/e-series.html>

(2A-128CA)